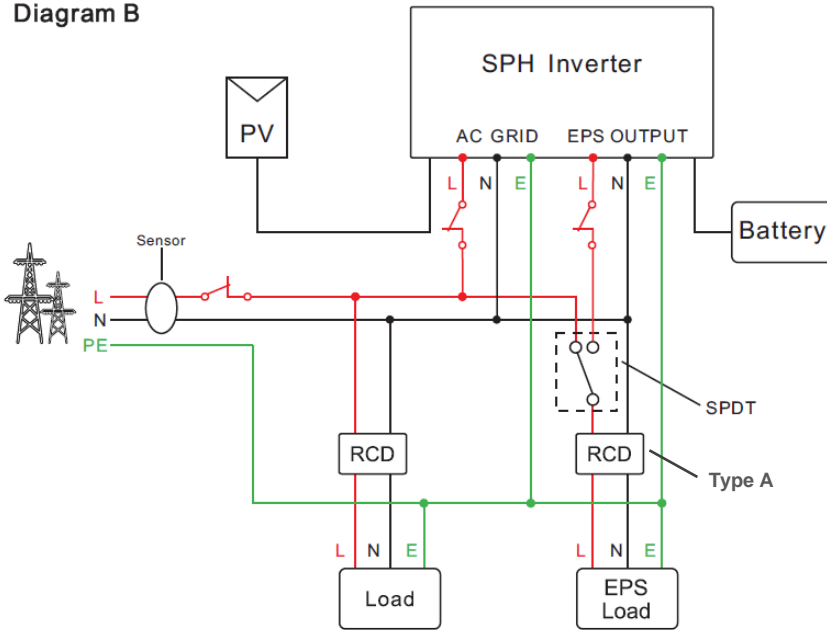


For Australia and New Zealand market, the EPS wiring refer to below diagram:

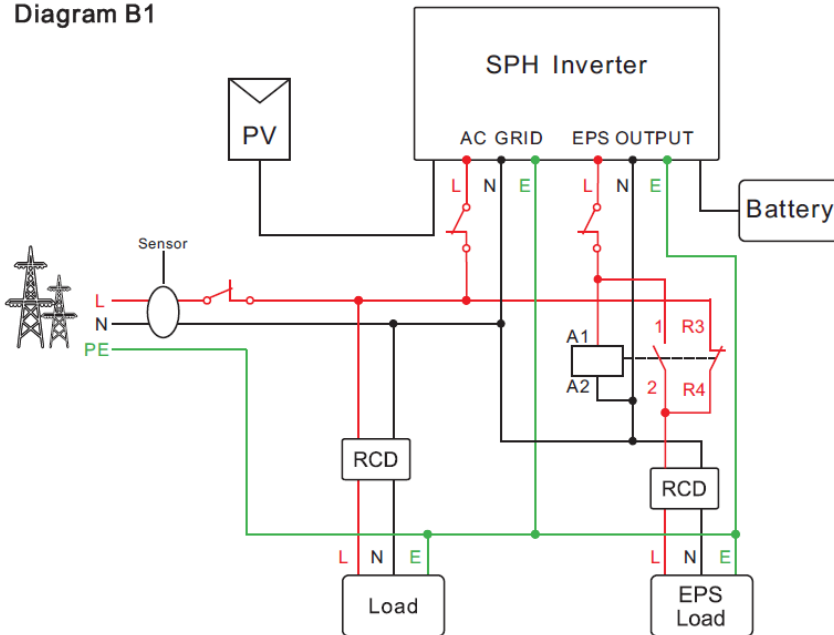
According to Australia and New Zealand local standard, neutral cable need connected when on grid and off-grid working. When use ATS, refer to diagram B:

Diagram B



For cost-effective solution, use AC relay instead of ATS, refer to Diagram B1:

Diagram B1



Type: ABB ESB63-11, order code: GHE3691802R0006

| | | | | | | | |
|--------|--------|-------|-------|----------|-----------------|---|------|
| | 3 | 230 V | 230 V | ESB63-11 | GHE3691802R0006 | 3 | 0.40 |
| 1 N.O. | 1 N.C. | | | | | | |